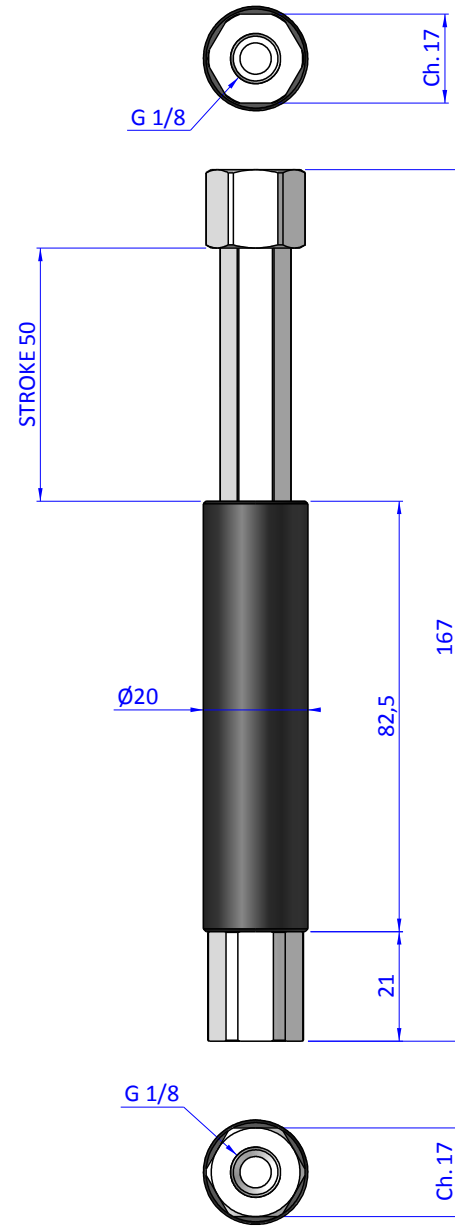
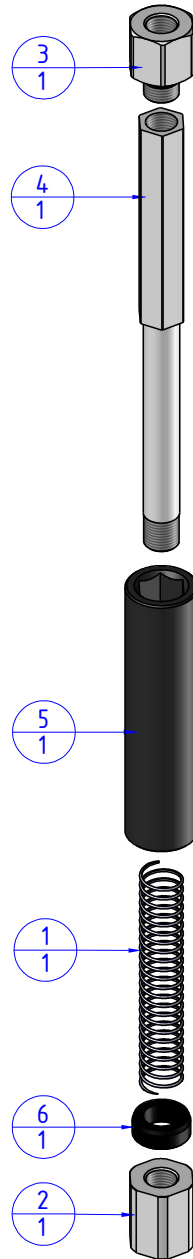


THE PROPERTY OF THE DRAWING IS ESTABLISHED BY LAW. IT IS FORBIDDEN TO PRODUCE OR SHOW IT TO THIRD PARTY, WITHOUT A WRITTEN AGREEMENT.

Object Number	Name	QTY
1	M.12X81.5	1
2	VSN.20.1	1
3	VSN.20.2	1
4	VSN.2050.4	1
5	VSN.2050.2.1	1
6	VSN.2050.3	1



Format A3

UNI 936-76

		DESIGNED FROM		REVIEW
		FPSERVICES		A
GENERAL TOLERANCE		DATE	WEIGHT	
UNI - ISO 2768		11/02/2019	0,081kg	
CLASSE f		CODE		
		CA.SDN.2050		CA.SDN.2050